



## FluidCleaner Mobil FCM 60/100

### Description

The FluidCleaner Mobil FCM is a mobile oil service unit and is used for offline filtration when filling systems and when transferring hydraulic and lubricating fluids.

With the FCM, HYDAC is providing a flexible and reliable service unit for conditioning oil, which significantly increases the life expectancy of operating media, components and therefore of entire systems, resulting in reduced operating costs.

### Applications

- Hydraulic and lubrication systems in different industries (for example, machine tools, plastic injection moulding machines, paper mills, construction machinery, steel industry, marine & offshore, mobile industry)

### Advantages

- Prevents costly component damage and system failures
- Reliable and convenient operation
- Increased oil service life
- Reduction in Life Cycle Cost LCC

### Technical specifications

	Vane pump version	Gear pump version
Max. flow rate	FCM 60 = 60 l/min FCM 100 = 100 l/min	
Operating pressure	$p_{\max} = 6 \text{ bar}$	$p_{\max} = 10 \text{ bar}$
Viscosity range	15 ... 400 mm <sup>2</sup> /s	15 ... 1000 mm <sup>2</sup> /s
Permitted operating fluid	Mineral oil (DIN 51424)	
Fluid temperature	-10 ... 80 °C	
Ambient temperature	-10 ... 40 °C	
Seals, gaskets	NBR (Option: FPM)	
Protection class	IP 55	
Power cable, length	10 m	
Connections/Length of hoses	NW 38 (1 1/2") / 2.5 m NW 25 (M 36x2) / 4 m	
Weight	135 kg (FCM 60)	145 kg (FCM 100)

## Model code

**FCM** **100** **L** **N** **3B03** **C/** **S5D5-V**

**Filtration unit**  
FluidCleaner Mobil

**Flow rate**  
060 = 60 l/min  
100 = 100 l/min

**Versions**  
L = vane pump without change-over (standard)  
F = vane pump with change-over  
K = gear pump without change-over  
G = gear pump with change-over

**Connection voltage**  
M\* = 230 V / 50 Hz (1 Ph + PE)  
N = 400 V / 50 Hz (3 Ph + N + PE)  
S = 500 V / 50 Hz (3 Ph + PE)  
X = other voltage

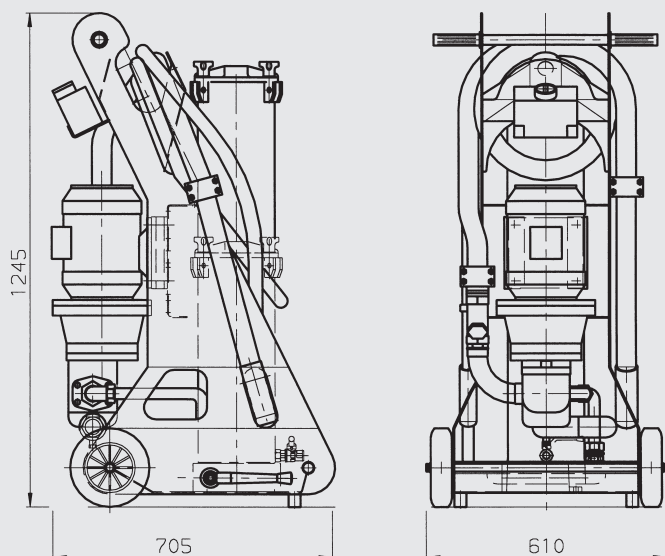
**Filter design**  
2 = filter size 1300  
3 = filter size 2600  
see next page

**Clogging indicator**  
B = visual differential pressure indicator (Standard)  
C = special model - differential pressure indicator electrical (VM2C.0) with automatic motor cut-out when filter is contaminated

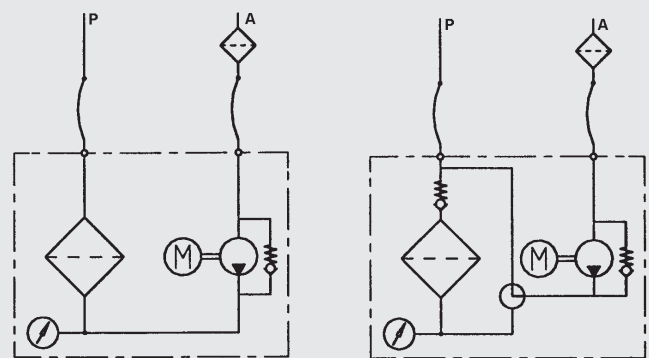
**Supplementary details**  
no details = standard  
S5 = suction hose 5 m with lance  
D5 = pressure hose 5 m with lance  
V = FPM (Viton) seal  
SK = suction hose with threaded connection  
DK = pressure hose with threaded connection

\* = for type FCM 60 (1.5 kW) only

## Dimensions



## Hydraulic circuit diagram

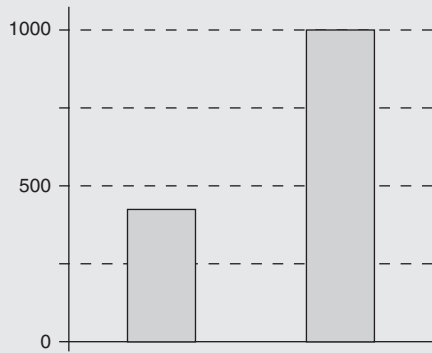


Standard model

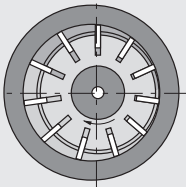
Model with change-over

## Versions

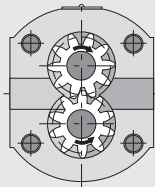
Viscosity [mm<sup>2</sup>/s]



Vane pump  
(standard)



Gear pump



## Replacement elements

Filter size	Filtration rating	Element type	Part No.
2	3 µm	1300 R 003 BN4HC-/KB (-V-KB)	1263059 (1263760)
2	5 µm	1300 R 005 BN4HC-/KB (-V-KB)	1263060 (1263761)
2	10 µm	1300 R 010 BN4HC-/KB (-V-KB)	1263061 (1263762)
2	20 µm	1300 R 020 BN4HC-/KB (-V-KB)	1263062 (1263763)
2	40 µm	1300 R 040 AM-/KB	1267699
2	10 µm	1300 R 010 BN4AM-/KB (-V-KB)	1270010 (1276060)
2	3 µm	1300 R 003 BN/AM-/KB (-V-KB)	1267991 (1271839)
3	3 µm	2600 R 003 BN4HC-/KB (-V-KB)	1263071 (1263784)
3	5 µm	2600 R 005 BN4HC-/KB (-V-KB)	1263072 (1263785)
3	10 µm	2600 R 010 BN4HC-/KB (-V-KB)	1263073 (1263786)
3	20 µm	2600 R 020 BN4HC-/KB (-V-KB)	1263074 (1263787)
3	40 µm	2600 R 040 AM-/KB	306899
3	3 µm	2600 R 003 BN/AM-/KB (-V-KB)	1268232 (1275329)
3	10 µm	2600 R 010 BN/AM-/KB	1276840

## Selection table for motor-pump unit

Version	FCM 60	FCM 100
Vane pump	1.5 kW	2.2 kW
Gear pump	2.2 kW	3.0 kW

**Note**

The information in this brochure relates to the operating conditions and applications described.

For applications and operating conditions not described, please contact the relevant technical department.

Subject to technical modifications.

**HYDAC FILTER SYSTEMS GMBH**

Industriegebiet  
**D-66280 Sulzbach / Saar**  
Tel.: +49 (0) 6897/509-01  
Fax: +49 (0) 6897/509-846  
Internet: [www.hydac.com](http://www.hydac.com)  
E-Mail: [filtersystems@hydac.com](mailto:filtersystems@hydac.com)